

The IQACO is a passive changeover switch with composite video presence detection. Both inputs are monitored for sync presence, sync amplitude and line standard. The condition for switch over may be programmed to be sync loss or video standard change.

# IQACO

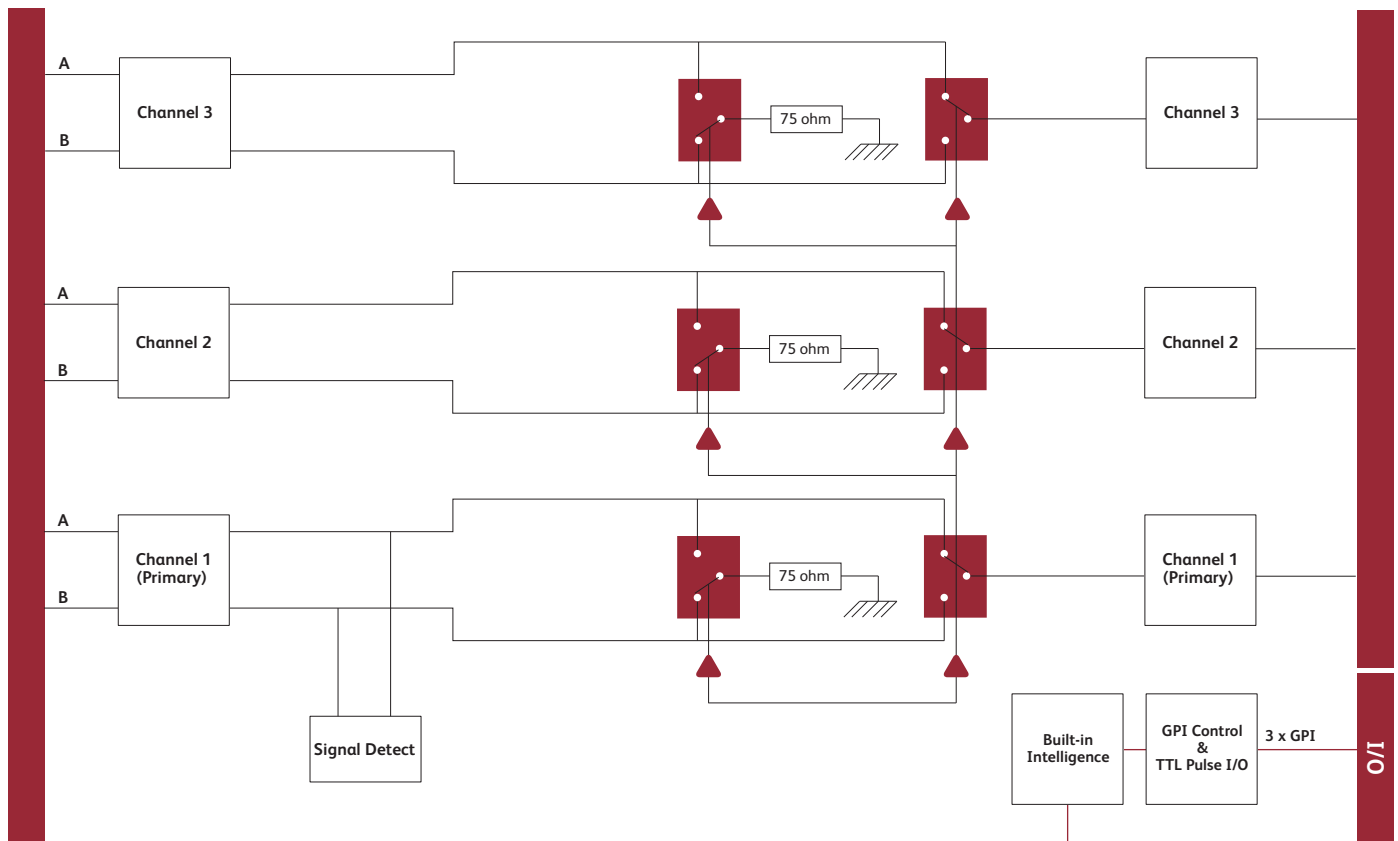
## Analog Video Changeover Switch

### Does this module suit your application?

- Passive composite / pulse changeover switch
- Automatic switch over on programmable condition(s)
- Detection of sync presence, sync amplitude and line standard
- Continuity (A input) maintained with power loss or module removal
- Three programmable GPI/O's for control or tally
- Programmable switch over time delay
- RollCall remote and card edge control
- RollCall fault logging

### Why should you choose this module?

- Switch over on programmable condition(s) for fully automatic operation
- Fault detection triggers the unit to switch over to the alternative input and creates an alarm trigger to flag the problem
- All fault or warning conditions can be reported and logged over RollCall



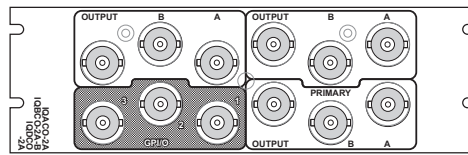
Network Intelligence, Control & Monitoring

**Order codes for IQH3A/1A enclosures**

**IQACO-2A**

Analog Video Changeover Switch.  
1 primary, 2 secondary switches.

For more details on enclosure types please refer to datasheet IQH3A.



IQACO-2A

**Technical Specification**

**Inputs and Outputs**

<b>Signal Inputs</b>	
Primary analog	2 per channel (1 channel) Composite/Black Burst video via BNC
Secondary analog	2 per channel (2 channels) For low data rate signals via BNC
<b>Signal Outputs</b>	
Primary analog	1 per channel (1 channel) via BNC
Secondary analog	1 per channel (2 channels) via BNC
GPI I/O	3 x closing contact via BNC

**Functions Available via RollCall Only**

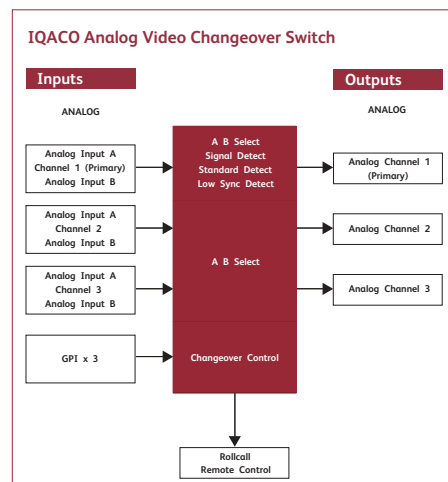
Switch condition	Any logical combination of warnings and GPI triggers
GPI/O program	Tally any input state or warning or set as trigger
Switch delay	0 to 10s from trigger condition(s)
Reporting and logging	Input Loss; Input Line Standard; Low Sync Level

**Specifications**

Analog input level	Standard levels $\pm 6$ dB
Input return loss (primary)	Better than 35 dB to 6 MHz (Output terminated)
Input return loss (secondary)	Better than 35 dB to 5 MHz (Output terminated)
Output return loss (primary)	Better than 35 dB to 6 MHz (Inputs A and B terminated)
Output return loss (secondary)	Better than 35 dB to 5 MHz (Inputs A and B terminated)
GPI I/O characteristics	Closing Contact Type Output Sink Current 100 mA Input Source Current 1 mA typical Input Threshold Voltage 1 V typical

**Power Consumption**

Module power consumption	1 W max
--------------------------	---------



**Card Edge and RollCall Controls**

**Card Edge Controls (also available via RollCall)**

Switch mode	Manual / Auto
Manual switch	A / B
Local	Selects default mode (cancels any RollCall programmed conditions)

**Indicators**

Power	OK
Input loss A	
Input loss B	
Input standard A	525/625
Input standard B	525/625
Low sync A	
Low sync B	

Company policy is one of continuous product improvement. Specifications are therefore provisional and subject to change without notice. All other trademarks mentioned herein are duly acknowledged.