

The CVR600UD is a multi-standard broadcast quality 12-bit sampling, 10-bit processing standards converter, synchronizer, aspect ratio converter, noise reducer and time base stabilizer with SDI, composite and YC interfaces. Standards conversion between 525 and 625 line standards (NTSC/PAL) employs a powerful 20 point, 4-field, 5-line interpolation aperture to give smooth motion and maximum vertical resolution. Embedded audio is processed as well as providing unbalanced AES audio interfaces.

The Kudos Plus CVR600UD has a DC input for redundant PSU capability and is provided in a compact half rack width housing with remote control capability via Ethernet.

Kudos Plus CVR600UD

SDI & Composite Standards Converter & Synchronizer with AES & Embedded Audio



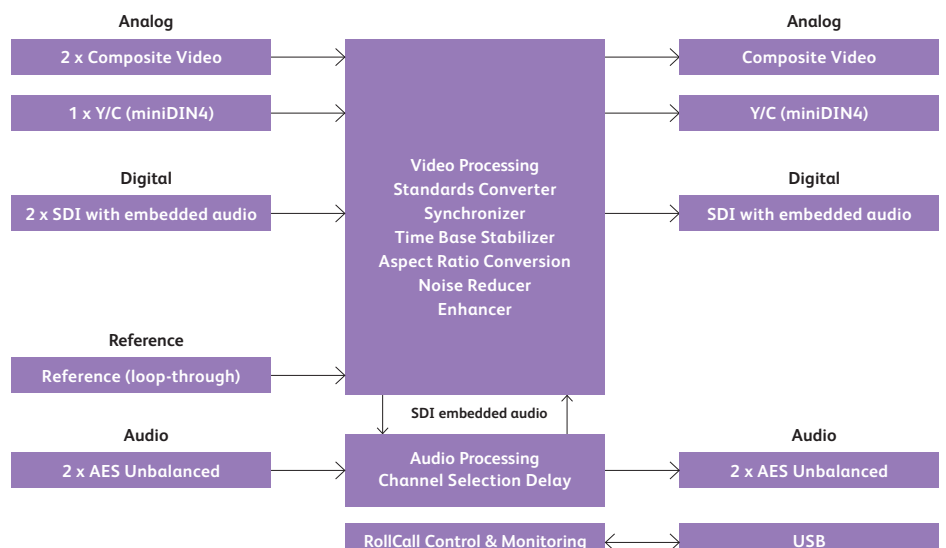
Features

- Standards converter & aspect ratio converter
- Synchronization & time base stabilization
- ARC with presets and size controls
- Adaptive recursive noise reduction with automatic noise level detection
- 20 point vertical-temporal aperture
- 12-bit decoding with 5-line comb filter
- 12-bit encoding
- Inputs PAL, NTSC, NTSC-J, NTSC4.4, PAL-N, PAL-M, SECAM with automatic input detection
- Outputs PAL, NTSC, NTSC-J, PAL-N, PAL-M
- 4 channel (2 pair) embedded audio processing
- Seamless PCM audio tracking delay with manual offset – up to 2.5s
- Pass through for all HANC/VANC data in synchronize mode

- Options for balanced / unbalanced AES and balanced analog interfaces
- Unique genlock 'Floating Mode'
- Composite inputs tolerant to noise & errors
- Video gain, black level, chroma gain, NTSC hue
- RollCall compatible via USB link
- Compact ½ rack width with optional rack mount kit. Low power (no fan)
- Optional external PSU for redundancy

Applications

- Universal analog / digital interface
- Audio embedding & extraction
- Satellite down-link & radio links
- Ingest / PC capture pre-processing
- Duplication
- VHS dubbing
- Format conversion



CVR600UD SDI & Composite Standards Converter

Full Product List

Base Model
Kudos Plus CVR600UD
(3598404)

The CVR600UD is a multi-standard broadcast quality synchronizer, noise reducer and time base stabilizer with SDI, composite and YC interfaces, 12 bit sampling and 10 bit processing featuring embedded and unbalanced AES audio.

Option
Rack mount kit
(INSY-MNT-KIT)

Rack mount kit to mount one or two units in a 19" rack.

Redundant PSU
(INSY-PSU-EXT)

External PSU, provides redundant PSU operation.

Technical Specification

Video Input	
2 x SDI	525/625 line with automatic detection(BNC)
2 x Composite	27MHz, 12-bit sampling PAL, NTSC, NTSC-J, NTSC4.4, PAL-N, PAL-M, SECAM with automatic detection(BNC)
1 x YC	27MHz, 12-bit sampling PAL, NTSC, NTSC-J, NTSC4.4, PAL-N, PAL-M with automatic detection (Mini DIN4)
Reference	Composite or Y (BNC loop-through)
Video Output	
2 x SDI	525/625 line(BNC)
2 x Composite	27MHz, 12-bit D to A. Output Formats PAL, NTSC, NTSC-J, PAL-N, PAL-M(BNC)
1 x YC	27MHz, 12-bit D to A. Output Formats PAL, NTSC, NTSC-J, PAL-N, PAL-M (Mini DIN4)
Audio Options	
2 x AES input	Unbalanced (BNC) 32-96kHz PCM audio
2 x AES output	Unbalanced (BNC) 48kHz PCM audio
Remote control	RollCall via USB link to a PC
Control Features	
Input select	SDI A,B; Composite A, B; YC
Output standard	525; 625
Audio source (1)	SDI pair 1-8; External 1-2
Audio source (2)	SDI pair 1-8; External 1-2
Audio destination	SDI group 1-4
Add audio delay	0ms to +2.5s
Analog audio level	+12 to +24dBu (in / out)
Noise reduction	Y;C (Off; 1; 2; 3; Max)
Split screen	Off/On (view noise reduction)
Vertical enhance	Off; 1; 2; 3 (max)
Horizontal enhance	-2; -1; 0; 1; 2; 3 (max)
ARC enable	Off/On
ARC H size	50% to 200% (0.5% steps)
ARC V size	50% to 200% (0.5% steps)
ARC H pan	+360 to -360 input pixels
ARC V tilt	+150 to -150 input field lines
ARC presets	Normal; 8 fixed presets
Input standard	NTSC, NTSC-J
Composite output	PAL, NTSC, NTSC-J, PAL-N, PAL-M
Freeze	Freezes next frame (sync mode)
Field freeze	Freezes next field
Luminance gain	Preset; \pm 6dB
Chrominance gain	Preset; \pm 6dB
Black level	Preset; \pm 100mV

NTSC hue	Preset; \pm 30 degrees
Genlock phase	Preset; approx. \pm 1 line
Genlock mode	Lock to reference; Lock to input; Float (stabilized) – if same line standard; Free-run
Output pattern	Black; Color Bars
Default output	When input is lost; go to black; go to color bars
Decoder / encoder	AGC, ACC, comb, DNR, CTI

Indication/Monitoring	
Input standard	Present; Standard
Reference	Present; Error (Error indicated if the reference is not the same line standard as the input)
Power	Standby

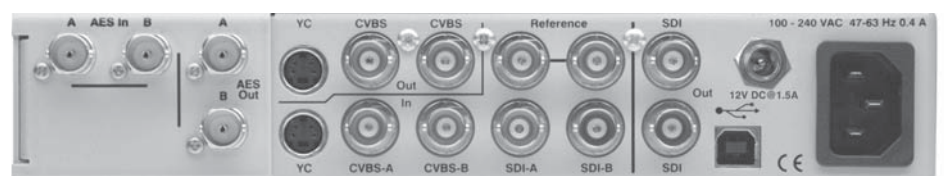
RollCall
All Control features available from RollCall via PC USBshare application. Indication/monitoring parameters are available for Logging and Rolltrack.

System Parameters	
Processing	\geq 10 bit
Conversion aperture	4 field / 5 line
SDI input switch	Tolerant to SMPTE RP168 vertical interval switch.
SDI HANC data	All data passed when input & output are the same standard, except data group being embedded
Vertical interval	All luminance data passed when input & output are the same standard
Reference lock range	Greater than \pm 80ppm

Power	
Input voltage range (Primary)	100-240 VAC, 47-63Hz 0.4a
Input voltage range (Secondary)	12 DC @ 1.5A via 2.1mm ring lock jack

Mechanical	
Dimensions	1/2 1RU rack (44x220x250mm)
Temperature	0°C to 35 °C operating -20 °C to +70 °C storage

***Floating Mode**
Without a reference the output will either free-run or lock to a stabilized input sync if operating in synchronize mode. In this stabilized or 'floating mode' the output will always follow shortly after the input, so preventing lip-sync errors and frame drop/repeat. The inputs are highly tolerant to unstable and noisy sources, while the synchronizer always creates correctly aligned images, even during sync disturbances and asynchronous input switches.



KP09v3